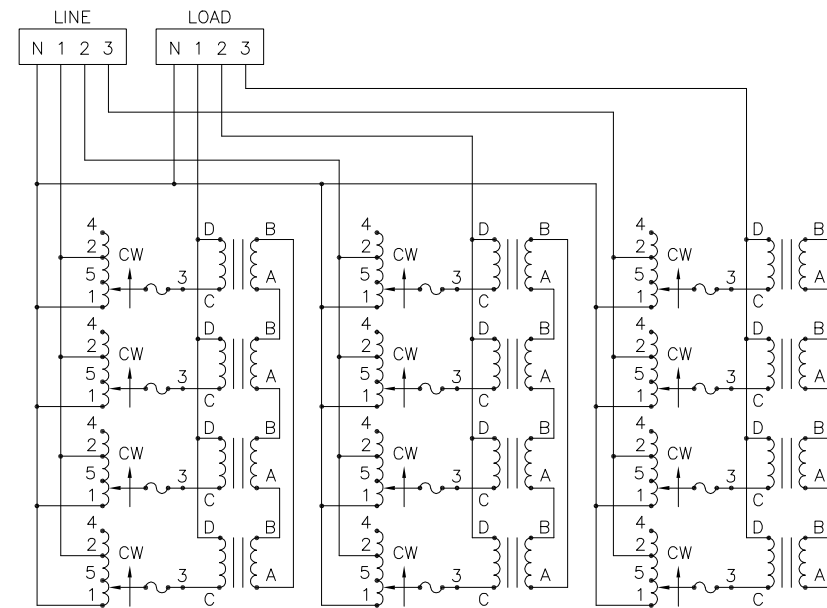
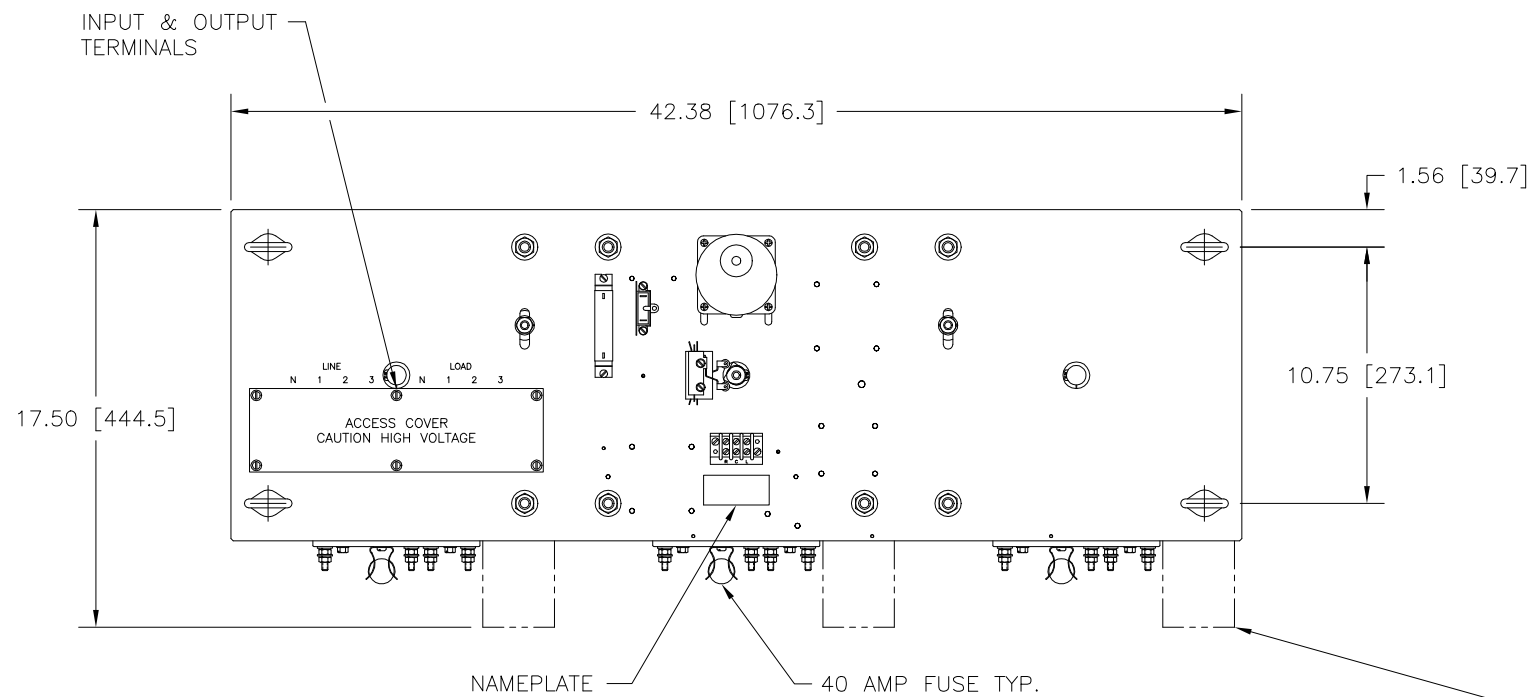


DWG. NO.	032-8510		
REVISIONS			
SYM.	E.C.N.	DATE	APVD.
B	23365	4/11/97	
REVISED & UPDATED			
C	24482	1/22/01	
REVISED & UPDATED			



SCHMATIC

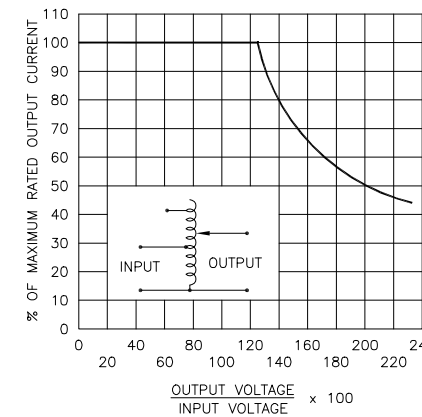


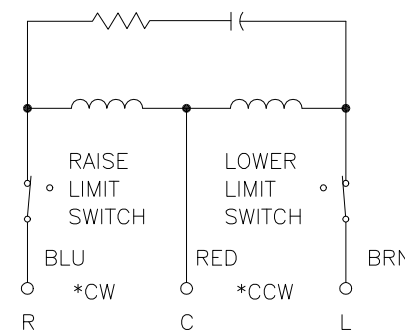
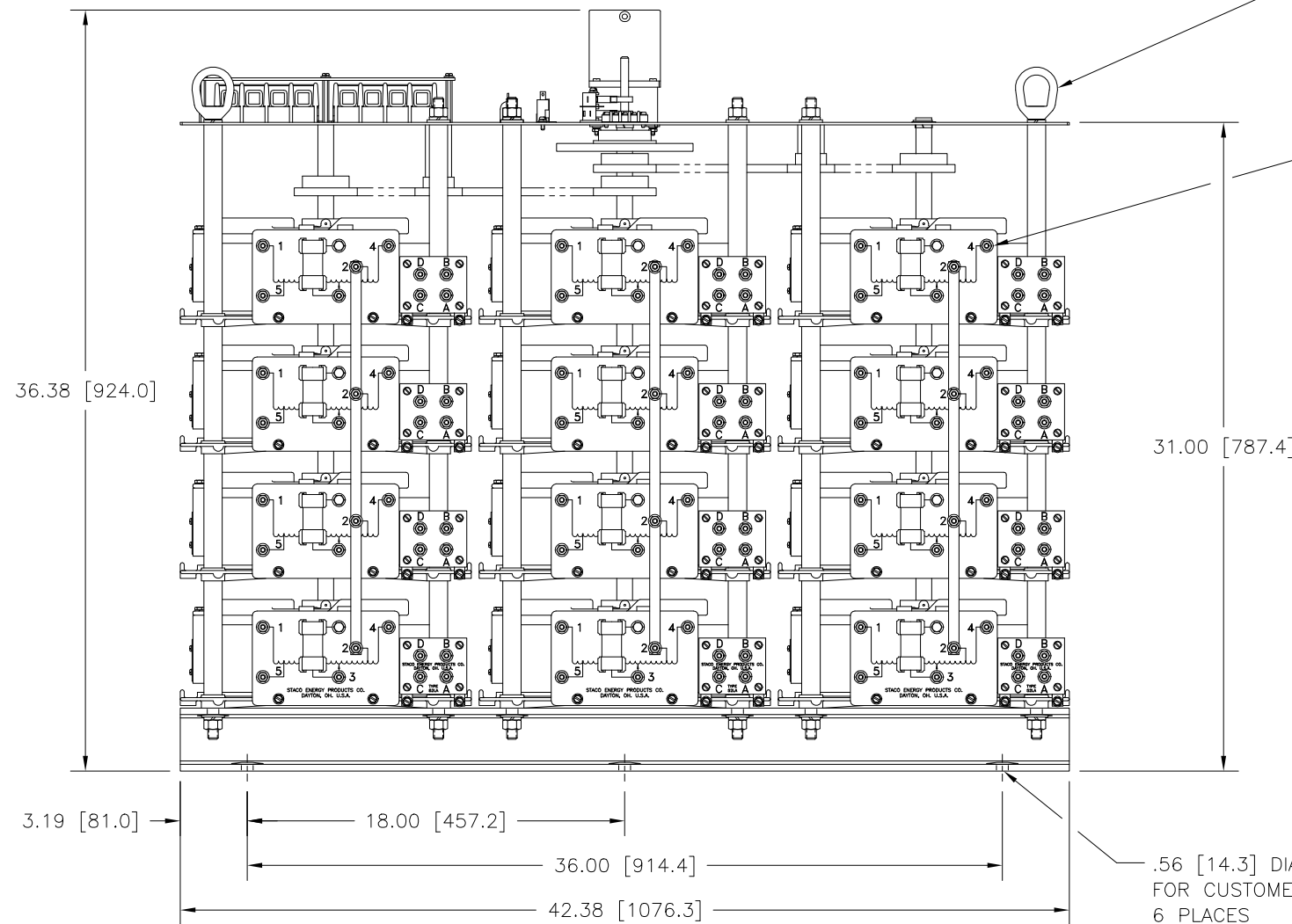
FIGURE A
MAXIMUM OUTPUT CURRENT OF ANY DUAL INPUT VOLTAGE OR VOLTAGE DOUBLER UNIT OPERATED AT LOWER INPUT VOLTAGE.

* MAXIMUM OUTPUT CURRENT IN OUTPUT VOLTAGE RANGE FROM 0 TO 25% ABOVE LINE VOLTAGE. AT HIGHER OUTPUT VOLTAGES, OUTPUT CURRENT MUST BE REDUCED ACCORDING TO RATING CURVE, FIGURE A.

++ MAXIMUM KVA AT MAXIMUM OUTPUT AND CORRESPONDING DE-RATED CURRENT. MAXIMUM KVA AT LOWER OUTPUT VOLTAGES MAY BE CALCULATED FROM RATING CURVE, FIGURE A.

V.D. = VOLTAGE DOUBLER.

SPEED (SECONDS)	MODEL NUMBER
30	30M6020-12Y
60	60M6020-12Y



MOTOR CIRCUIT

120V 50/60 HZ
* ROTATION AS VIEWED FROM MOTOR END
MOTOR SPEED: SEE CHART

WIRING	INPUT		OUTPUT		SHAFT ROTATION TO INCREASE VOLTAGE	TERMINAL CONNECTIONS		
	VOLTS	HERTZ	VOLTS	CONSTANT CURRENT LOAD		FOR INCREASING VOLTAGE AS VIEWED FROM ROTOR END		
				MAX. AMPS		MAX. KVA	INPUT	OUTPUT
THREE PHASE WYE	480	50/60	0-480	140	116.3	CW	4-4-4	D-D-D
		60	0-560	140	135.6	CW	2-2-2	D-D-D
	240	60	0-560	140*60 V.D.	58.1 ++	CW	5-5-5	D-D-D

UNLESS OTHERWISE SPECIFIED, TOLERANCE IS ± DECIMALS .XX .XXX .12 .002 .03 .1° 1° 1-1/2° UNITS IN [mm]

MATERIAL: ALL DIMENSIONS APPLY AFTER PLATING

TITLE: SPEC. CONTROL DRAWING VARIABLE TRANSFORMER TYPE: M6020-12Y

DRAWN BY: TIM RAU DATE: 4/11/97 FIRST USED ON: DO NOT SCALE DWG. CAGE CODE: 83008

CHECKER: DATE: WEIGHT APPROX. SCALE: .25=1 SHEET 1 OF 1

ENGINEER: DATE: SCALE: DWG. NO. 032-8510

STACO ENERGY PRODUCTS CO.
A Components Corporation of Ametec Company
302 South Boulevard Dayton, Ohio 45403 USA